



FIBER SPINNING MACHINERY

地址：江苏省苏州市太仓城厢工业园东安路18号
 电话：0512-53730350 139 1887 6277 135 0167 5166
 传真：0512-53377011
 Add: No.18, Dong'an Road, Chengxiang Industrial zone, Taicang, Suzhou city, China
 Tel: (86) 512-53730350 139 1887 3919 159 0622 8966 158 0622 1799
 Http://www.jwell.net www.jwell.cn E-mail: salac@jwell.cn sales@jwell.cn



版本号/Edition No.: 2022.03

苏州金纬化纤装备有限公司
JWELL FIBER MACHINERY CO., LTD(SUZHOU)

FIBER SPINNING MACHINERY

苏州金纬化纤装备有限公司是金纬机械旗下的重要发展战略中心和制造基地，位于苏州市太仓城厢工业园，距上海虹桥机场30分钟车程。占地20公顷，厂房室内面积120000平方米，配套有先进的零部件CNC机械加工基地和规范的装配车间。员工1000余人，拥有高素质的设计研发队伍和经验丰富的机械、电气调试工程师团队。公司凭着在化纤行业多年的丰富经验，专业承接化纤工程的设计及设备制造。现已成为实力雄厚，装备精良，工程承包水平领先的国际化纤维机械工程公司。

主要产品有：

涤纶POY、FDY、TCS及氨纶化纤纺丝工程设计与制造；

JW系列涤纶、丙纶、锦纶POY、FDY化纤纺丝机；

涤锦复合纺丝机；

卷绕设备和成套设备：

JW1260、JWA1260、JWA1380、JWA1500、

JWA1680、JWA1800系列兔子头式高速卷绕头

和JWAR1500、JWAR1680、JWAR1800拨叉卷绕头；

国产熔体直纺工程总体设计及设备总包；

JWM20-200系列化纤螺杆挤出机。



公司产品已经遍布全国各地，并出口到印度、波黑、泰国、韩国、印尼、斯洛文尼亚、土耳其、埃及、叙利亚、阿根廷和意大利等国家和地区，深受客户好评。

“品质卓越 完美如一”

是金纬公司的质量方针，是全体员工努力的方向。

“诚实待人”

是我们铸就“百年金纬”的核心理念。

董事长：何海潮

Email: he@jwell.cn

JWELL fiber machinery co., ltd(Suzhou) is an important development strategy center and manufacturing basement under the JWELL GROUP. It is located in Chengxiang Industrial area, Taicang, Suzhou City, 30 minutes far from Shanghai Hongqiao Airport. It covers an area of 20 hectares, and the workshop area is 120000 square meters, equipped with CNC machines and standardized assembly workshop. More than 1000 employees, with high-quality design and R & D team and experienced mechanical and electrical commissioning engineer team. With years of rich experience in chemical fiber industry, Shanghai Jwell dedicates to the design of chemical fiber project and equipment manufacture.

Our main products include:

Engineering and manufacturing of Polyester POY,FDY,TCS and Spandex chemical fiber spinning machinery;

JW series:Polyester,polypropylene and polyamide POY,FDY and industrial yarn chemical fiber Spinning machine,PA6,PET composite spinning machine;

JW1260,JWA1260,JWA1380,JWA1500,JWA1680,JWA1800

series traverse cam type Automatic winders and JWAR1500,-

JWAR1680,JWAR1800 series birotor type Automatic winders;

JWM20-200 Series Chemical Fiber Screw-Extruder.

The machine have been sold over many countries,such as India,Korea,Thailand,Indonesia,Iran,Turkey,Egypt,Syria,Argentina and Italy and etc.

"Excellent Quality, Perfect All" is Jwell's quality policy, and all staff's working direction.

"Be honest" is the core idea for us to contribute

"Century JWELL"

President:He Haichao

Mobile/WhatsApp +86 13601628188



我们秉承发扬工匠的精神 Adhering to the Spirit of Craftsmanship



我们用心追求完美的品质 In Pursuit of Perfect Quality



化纤直纺工程项目总承包

Turn-key Project for CP Production Lines



涤纶/锦纶/复合POY 纺丝工程成套设备

PET/PA6/Composed POY High Speed Spinning Machines Series



产品用途:

本机主要是用于纺制30-330dtex涤纶POY长丝。

主要特点:

- 一体式菱形混炼头，国产连续熔体过滤器，延长了组件使用周期。
- 有上装式和下装式的高压自封式矩形、杯型组件可供选择。
- 独特的行星式纺丝泵、单独传动的油剂泵。
- 风速均匀稳定的环吹风、侧吹风系列冷却系统。
- 独立控制，进口变频器及进口元器件。
- 可升降导盘，升头操作方便。

Application:

This machine is mainly used for spinning 30-330dtex polyester POY.

- Adopts LTM type pin screw, domestic-made continuous melt CPF, thus extend the service life of spin packs.
- Both top-mounted and bottom-mounted high-pressure rectangular and cup-shaped spin packs are available.
- Unique planetary spinning pump and separately driving finish oil pump.
- Evo and cross quench system with equably and stable flowing speed.
- Individually controlled, imported inverter and components.
- New adjustment GR, imported inverter and components.

产品用途:

本机主要是用于PA6及PA66切片纺制。

主要特点:

- 采用了新型双金属螺杆、机筒、特殊的管路设计。
- 采用节能型箱体，配有下装式的高压自封式杯型组件。
- 独特的行星式纺丝泵、单独传动的油剂泵，配备精心设计的单体抽吸装置。
- 均匀可前面拆卸的侧吹风、独特喷嘴式上油装置。
- 带有精密卷绕的高速全自动切换卷绕头，切换成功率高，丝饼成型优良，退绕性能好。

Application:

This machine is mainly used for chips spinning of PA6 and PA66.

Main features:

- Adopt new type of bimetal, barrel and special manifold design.
- Energy saving spin beam, equipped with botton mounted, high pressure cylinder spin pack.
- Unique planetary spinning pump and separately driving finish oil pump. With well designed air suctivice for monomer.
- Uniform front dismountable quenching chamber and unique nozzle type oil adding device.
- Equipped with precision winding and high speed automatic winders, high succssfully of doffing, fineless of yarn shape, and good function of unwinding.

涤纶瓶片纺丝工程成套设备

PET Bottle Flakes Spinning Equipment

设备介绍:

本纺丝方案适用于反应釜工程或熔融瓶片纺丝方法生产涤纶POY产品。

技术特点:

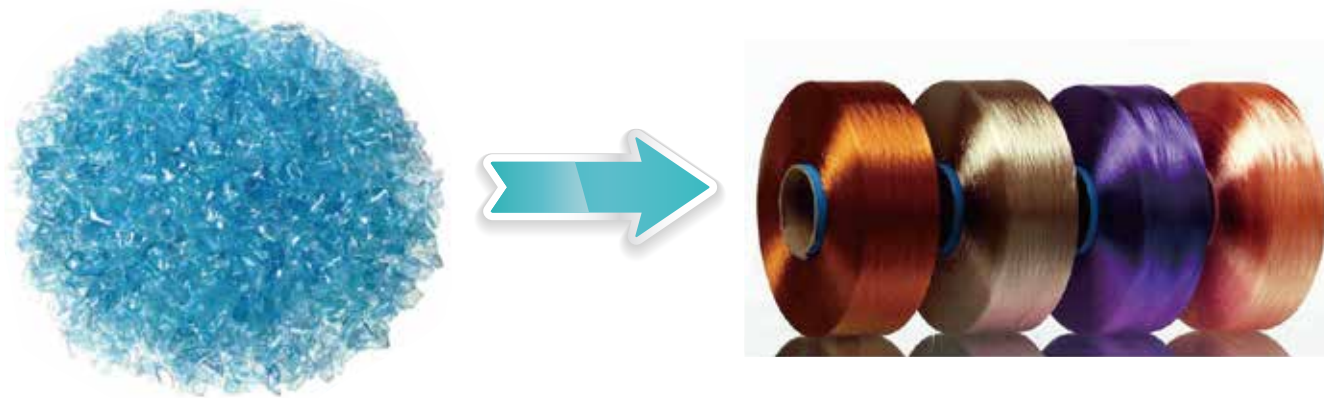
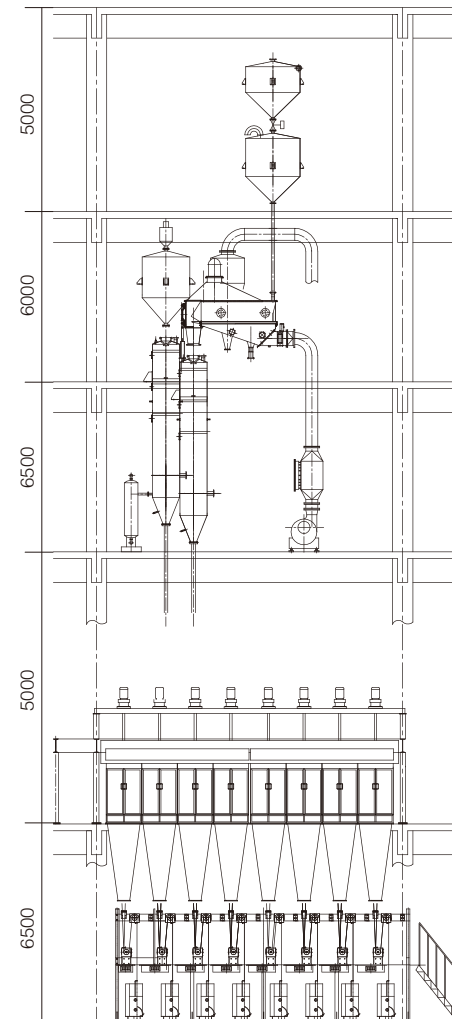
- 特殊螺杆机筒设计，适纺回收料。
- 双级过滤器配置增压泵，保证熔体压力均匀输送和过滤效果。
- 采用新型回料专用纺丝箱，高效节能环保。
- 采用下装杯形组件，提高熔体流动的均匀性。
- 专用的回料侧吹风系统，蜂窝结构，风速均匀稳定，条干好。

Introduction:

Suitable for reaction kettle and melt-bottle flakes spinning for Recycle PET POY.

Technical feature:

- Special designed screw & barrel for Recycle bottle PET (flakes).
- Double stage CPF with boost pump, to keep melt pressure stable and good performance.
- Designed spinning beam for Recycle bottle PET, saving energy and high quality.
- New designed spin pack for Recycle bottle PET.
- Special for quenching system for Recycle bottle PET, to keep air blowing better, and for the better yarn evenness.



涤纶/锦纶/复合FDY 纺丝工程成套设备

PET/PA6/Composed FDY High Speed Spinning Machine

产品用途:

本系列机适用于采用熔体直纺或切片（瓶片）纺丝方法生产涤纶全牵伸丝（FDY）。

主要特点:

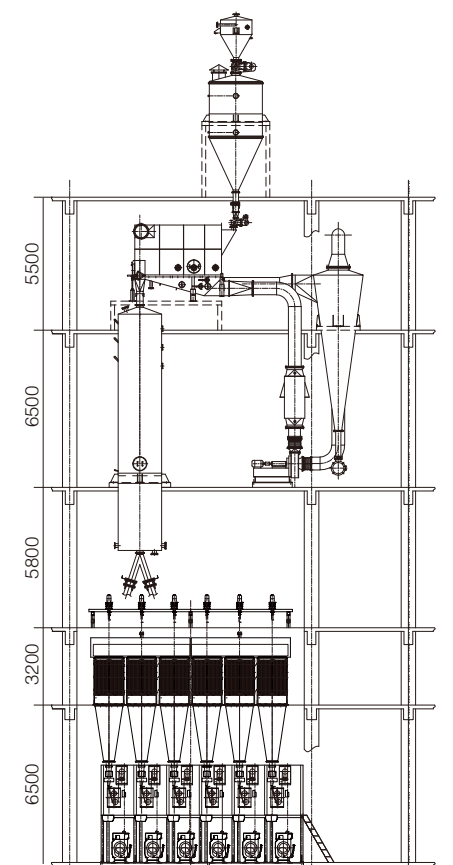
- 均匀稳定的侧吹风系统，纤维条干好。
- 适纺细旦丝的油剂喷淋系统和通用的油轮上油系统。
- 高精度进口变频器，配进口高精度温控表。具有设定、控温、监视功能。
- 配金纬化纤机械公司制造的JWV系列，带有精密卷绕的高速自动切换卷绕头。自动切换成功率高，丝饼成型优良，退绕性能好。

Application:

Suitable for Direct-melt spinning or Virgin Chips or bottle chips spinning to produce PET-FDY yarn.

Main features:

- Uniform and stable quenching chamber system, for the better yarn evenness.
- Finishing spray system for super microfilament and universal oil wheel feeding system.
- Imported high precision inverter equipped with high precision RKC with setting, temperature controlling, monitoring and recording functions.
- Equipped with JW series precision winding and automatic winder produced by Shanghai Jwell Chemical Fiber Machinery Co.,Ltd, high successfully of doffing, fineness of yarn shape, and good function of unwinding.



BCF地毯纱纺丝生产线

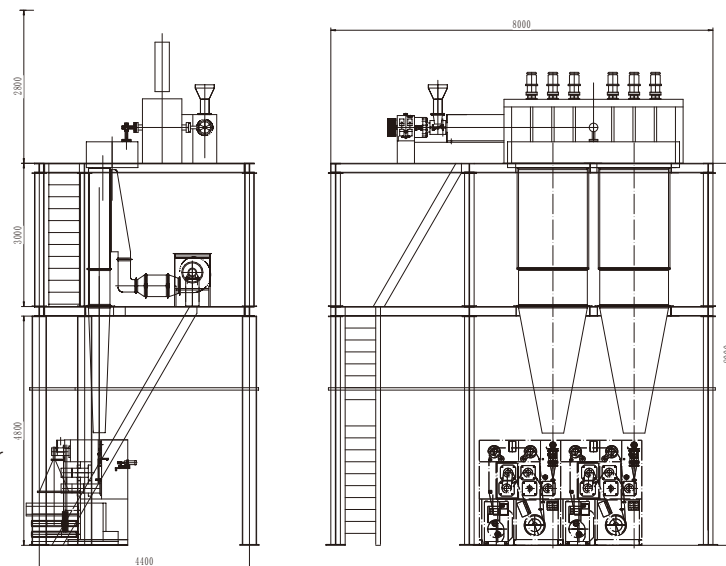
BCF Carpet Spinning Line

主要特点 Main Feature:

- 1. 本机以PA6、PET和PP为原料，采用纺丝，牵伸、变形一步法工艺生产BCF纱线；PP原料可添加回收料，降低成本。PET原料可用100%的瓶片。
 - 2. 采用纺丝、牵伸、卷绕等模块化的设备组合，可以生产出单色、三色BCF地毯丝；采用重量式配色系统，保证原丝色泽的统一。
 - 3. 采用新型螺杆，机筒，特殊工艺设计，适用于多种聚合物的生产。
 - 4. 采用特殊设计的膨化丝组件，更换方便，保证纺丝熔体分配均匀，无死角。
 - 5. 采用特殊的旋转膨化器装置，提高BCF丝旋转膨化的稳定性。
 - 6. 采用特殊设计的单体抽吸系统，可排放低聚物和内酰胺。
 - 7. 新型的喷嘴式变型装置，与优化的冷却鼓之间的配合，保证了优良的卷曲度定型。
 - 8. 热辊使用同步电机驱动电感加热辊，高频加热，进口温控变送器，保证热辊温度的均匀。
 - 9. 采用自动纱线切换卷绕头，纱线张力恒定，切换成功率高，丝饼成型好。
- Using PA6,PET and PP as raw materials, the machinery adopts one-step process of spinning, drafting and deformations to produce BCF yarn; PP raw materials can be added recycled materials, reduce the cost.and PET raw material can be used in 100% bottle flakes.
 - Using the combination of spinning、drawing、winding and other modular equipment, can produced monochrome, carpet yarn;Adopting the weight colour mactching system to ensure the unification of the orginal yarn colour.
 - Using new screw, barrel, special process design, suitable for the production of a variety of polymers.
 - The specially designed expanded spin pack is used to ensure the uniform distribution of spinning melt and flow smoothly.
 - A special rotary expanded part is used to improve the stability of BCF yarn.
 - Specially designed monomer suction system can discharge oligomer and lactam.
 - A new type of nozzle type changing device, and the optimized cooling drum between the coordination, to ensure excellent curl shaping.
 - The hot goldets use synchronous motor, high frequency heating, imported temperature control transmitter, to ensure the same temperature of the hot goldet.
 - With automatic winder system, the yarn tension is constant, with good transfer,yarn shape is excellent.

主要技术参数 Main technical data

适纺范围：600D-3600D；
 Suitable: 600D-3600D；
 机械速度：2800m/min
 Mechanical Speed: 2800m/min
 位距：1700mm
 Gauge: 1700mm
 每头数：2/3
 Ends: 2/3
 喷丝板直径：120mm/150mm
 Spinneret Dimmentios: 120mm/150mm
 组件形式：上装或下装
 Spin Pack Type:Top or bottom
 冷束冷却方式：侧吹风
 Cooling System: Cross- quenching
 热辊直径：φ220mm
 Hot Goldet Diamention: φ220mm
 膨化变形器：摩擦叶片式或非片式变形器
 Expansion Texturizer: Friction blade type or non-sheet type texturizer
 冷却鼓：φ400mm、φ420mm
 Cooling Drum: φ400mm、φ420mm
 卷绕头：全自动切换卷绕头
 Winder: Automatic Winder

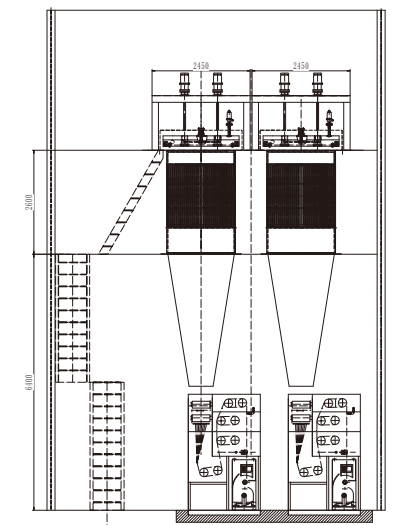


PP/PA/PET-FDY工业纺丝成套设备

PP/PA/PET-FDY Industrial Yarn Technology and Spinning Complete Equipment

主要特点 Main Feature:

- 1. 本机以PP/PA/PET为原料，集挤出，喷丝，侧吹风，牵伸及卷绕于一体生产工业长丝。
 - 2. 产量，配置可按用户要求设计。
 - 3. 总体投资少，投资周期短，纺丝操作方便。
 - 4. 根据客户的需求定制一体机，节约厂房空间，纤度可以从200D-3000D
 - 5. 可根据用户需求，设计专用纺丝楼或整体钢结构形式成型。
 - 6. 采用高精度蒸汽加热方式，保证热辊表面温度控制精度在±1.5°。
 - 7. 采用特殊热辊排布形式，保证工业丝丝的强度和张力。
 - 8. 采用特殊设计的冷却侧吹风装置，保证丝条干的均匀性。
 - 9. 电气控制采用进口品牌的变频器，温控仪表以及进口旋转变送器，控制精确可靠。
 - 10. 配备精密卷绕的自动切换卷绕头，切换成功高，丝饼成型优良。
- This machine uses PP/PA/PET as raw material, and integrates extrusion, spinning, cross-quenching, drawing and winding to produce industrial filament.
 - Output and configuration can be designed according to user requirements.
 - The total investment is small, the investment period is short, and the spinning operation is convenient.
 - Customize the all-in-one machine according to customers' requirements, plant space saving, and the denier can be from 200D-3000D.
 - Special spinning building or integral steel structure can be designed according to the customers' requirements.
 - High precision steam heating method is adopted to ensure the surface temperature control accuracy with ± 1.5°.
 - Special hot goldet arrangement to ensure the strength and tension of industrial yarn silk.
 - Specially designed cross-quenching device is used to ensure the uniformity of the yarn silk.
 - Electrical control adopts imported brand frequency converter, temperature control instrument and imported rotary transmitter, the control is accurate and reliable.
 - With automatic winder system, high switching success and excellent bobbin cake forming.



熔纺氨纶纺丝成套设备

Melt Spandex (TPU) Spinning Machines

本机全部采用金纬自制的设备，采用当今国内外最先进的技术，用熔融法生产氨纶丝具有如下特点：

- 采用专用氨纶螺杆挤出机，交流变频拖动装置；
- 采用独特的交联剂添加装置已申请国家专利；
- 采用新型的纺丝箱、平行侧吹及计量精确的行星泵；
- 适合纺氨纶的油剂喷淋系统及传动装置；
- 高精度进口变频器，并配进口高精度温控表等；
- 专用手动或全自动切换氨纶卷绕头。

Brief introduction

This machine adopts the equipment manufactured by Jwell itself and the most advanced technology.

- Adopting specialized spandex screw extruder and A.C inverter drive system;
- Unique crossing additive adding system with the patent in China;
- New type spin beam, parallel queching system and high precision planetary pumps;
- Finish oil spraying and driving system which are suitable for spandex yarn;
- Imported high precision inverter with imported high precision temperature controlling meter;
- Specialized manual or fully automatic spandex winder.

主要技术参数

Main technical data:

| | |
|-----------------------|--|
| 适纺范围: 15D 20D 30D 40D | Range: 15D 20D 30D 40D |
| 机械速度: 1000m/min | Mechanical speed: 1000m/min |
| 纺丝位距: 8位 | Pitch: 8 pos. |
| 部位位距: 600、700、800mm | Gauge: 600, 700, 800mm |
| 箱体形式: 独立、平行纺丝及卷绕 | Type of spinning beam: individual, parallel spinning and winding |
| 组件形式: 下装式 | Type of spin pack: bottom mounted |
| 部位筒子数: 8头、12头 | No. of ends: 8, 12 ends |



特种纤维及复合新材料纺丝成套设备

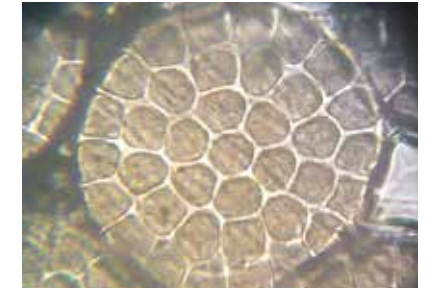
Special Fiber & New Material Spinning Machine

双组份复合纤维纺丝机

Multi-composite spinning machine

主要适用于PET、PA6或各种改型聚合物的双组份纺丝，有共纺型、桔瓣型、裂片型、皮芯型、海岛型等POY/FDY复合长丝，有圆形或异形喷丝板可选。广泛应用于生产酒店家居清洁用品、浴室保洁用品、汽车内饰（坐垫脚垫等）、毛毯地毯、甲壳素海洋化妆品面膜等各种产品。

This machine is suitable for the production of polyester and polyamide and polypropylene and their modified polymer type; co-spinning, center and split thin type; POY/FDY composite long filament of orange petal type or specialized yarn type etc. Used widely for hotel cleanser, bathroom cleanser, car inner decoration, carpet, blanket and so on.



碳纤维纺丝机

Carbon fiber spinning machine

主要适用于碳纤维的纺丝。碳纤维是一种含碳量在95%以上的高强度、高模量纤维的新型纤维材料，碳纤维“外柔内刚”，质量比金属铝轻，但强度却高于钢铁，并且具有耐腐蚀、高模量的特性，广泛应用于国防、航空航天、新型轻量化汽车领域及高性能民用领域。



T400复合纺设备

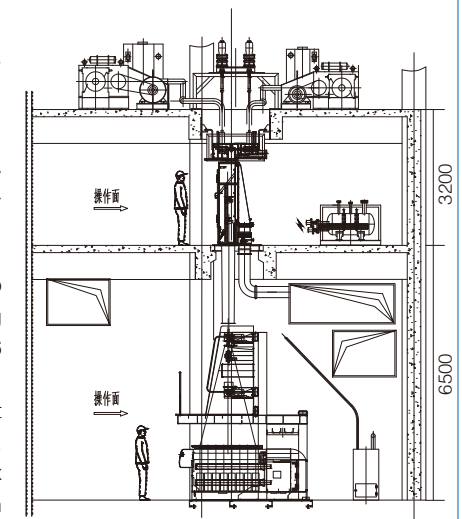
T400 Bi-Component spinning equipment

这类纤维是由PET和PTT二种完全不同的原料，配置二套螺杆、熔体管路、双组份复合箱体、单独的热媒系统等，采用特殊工艺纺制而成。设备通过适当改造，也可以纺制涤锦复合丝、海岛丝等复合纤维。

T400复合纤维是一种新型弹力复合纤维，不含氨纶而具有良好的弹性，其解决了氨纶的不易染色、弹力过剩、织造复杂、面料尺寸不稳定，及在使用过程中的氨纶老化等诸多问题。广泛应用于裤料、牛仔、运动服，高档女装等领域。

T400 made from PET and PTT two completely different raw materials, the configuration of two sets of extruder, melt polymer pipeline, Bi-component spinning beam, Individual heating system, with a special process in spinning the equipment can be produce PET -PA6 Bi-Component yarn or Island component yarn.

T400 Bi-Component filaments belong to a new type of elastic composite fiber, without spandex but it has a better flexibility which also solved the spandex not easy in dyeing, excessive in elasticity, complex in weaving, in-stable in fabric size, and in the spandex aging or many other issues. T400 in widely used in pants, denim, sportswear, fashion women clothing and other fields.



JWM螺杆挤出机系列

JWM Series Spinning Extruder

JWM系列螺杆挤出机主要用于PET、PA6、PA66、PP等切片或瓶片的熔融纺丝。本产品集十几年的经验与技术，在行业中每年销量巨大，目前已有数千台挤出机在700多家化纤工厂及无纺布工厂正常运行。

挤出机的螺杆设计采用LTM低温混合元件，塑化性能好。由于采用了专业加工技术，使得螺杆、料筒的制造精度较高，直线性较好。并选用高精度斜齿减速箱，齿轮为硬齿面磨齿齿轮。工作平稳，噪声极小。配有超强的推力轴承，保证能承受巨大的轴向力。并可根据用户需要，选用进口轴承及密封件，耐用性好，维护简便。

JWM series extruders are used for melt spinning of PET, PA6, PA66, PP chips and flakes. We have huge turnover every year because of dozen years of experience and advanced technology, and there are thousands of extruders running well in more than 700 spinning and non-woven plants.

The LTM designed in screw, and the melt quality is better. The precision of screw and barrel is higher after professional processing. And equipped high precision bevel-teeth gear box, operating stability, lowest noise. assemble strong push bearing. in order to guarantee bearing huge axle power. and be able to select to equip imported high speed bearing and seal parts.



JWM螺杆挤出机参数表

JWM Extruder Data sheet

| JWM 挤出机规格 Extruder spec | 螺杆直径 Screw dia mm | 长径比 L/D | 最大PET 挤出量 Max. output kg/h for PET | 最大PA6 挤出量 Max. output for PA6 | 螺杆 转速 Screw rpm r/min | 传动 功率 Transmission power kw | 加热 功率 Heating power kw | 加热 区段 Heating section | 加热 电压 Heating voltage v | 中心高 Center height mm | 重量 Weight ton |
|----------------------------|-------------------------|------------|---|--|--------------------------------|--------------------------------------|---------------------------------|-----------------------------|----------------------------------|----------------------------|---------------------|
| JWM20/25 | ø20 | 25:1 | 6 | 4 | 20-90 | 2.2 | 3 | 3 | 220 | 340 | 0.6 |
| JWM25/25 | ø25 | 25:1 | 8 | 5.5 | 20-90 | 2.2 | 3 | 3 | 220 | 340 | 0.7 |
| JWM30/25 | ø30 | 25:1 | 12 | 8 | 20-90 | 3 | 3 | 3 | 220 | 340 | 0.8 |
| JWM40/25 | ø40 | 25:1 | 28 | 19 | 20-90 | 5.5 | 6 | 3 | 220 | 340 | 0.9 |
| JWM45/25 | ø45 | 25:1 | 35 | 24 | 20-90 | 7.5 | 8 | 3 | 220 | 340 | 1 |
| JWM50/25 | ø50 | 25:1 | 55 | 38 | 20-90 | 7.5 | 14 | 4 | 220 | 340 | 1.1 |
| JWM55/25 | ø55 | 25:1 | 65 | 45 | 20-90 | 11 | 15 | 4 | 220 | 340 | 1.2 |
| JWM65/25 | ø65 | 25:1 | 85 | 60 | 20-90 | 18.5 | 16 | 5 | 220 | 340 | 1.3 |
| JWM75/25 | ø75 | 25:1 | 100 | 70 | 20-80 | 22 | 21 | 5 | 220 | 410 | 1.6 |
| JWM80/25 | ø80 | 25:1 | 125 | 85 | 20-80 | 37 | 27 | 5 | 220 | 510 | 1.8 |
| JWM90/25 | ø90 | 25:1 | 180 | 125 | 20-80 | 45 | 32 | 5 | 220 | 510 | 2 |
| JWM105/25 | ø105 | 25:1 | 280 | 195 | 20-70 | 55 | 45 | 5 | 220 | 610 | 3 |
| JWM120/25 | ø120 | 25:1 | 380 | 260 | 20-60 | 75 | 54 | 6 | 220 | 660 | 3.5 |
| JWM130/25 | ø130 | 25:1 | 450 | 310 | 20-60 | 90 | 57 | 6 | 220 | 660 | 4 |
| JWM135/25 | ø135 | 25:1 | 500 | 350 | 20-60 | 90 | 63 | 6 | 220 | 660 | 4.2 |
| JWM150/25 | ø150 | 25:1 | 600 | 415 | 20-60 | 110 | 76.5 | 6 | 380 | 710 | 5 |
| JWM160/25 | ø160 | 25:1 | 700 | - | 20-60 | 132 | 85.5 | 6 | 380 | 710 | 6 |
| JWM170/25 | ø170 | 25:1 | 800 | - | 20-60 | 160 | 103.5 | 6 | 380 | 750 | 8 |
| JWM180/25 | ø180 | 25:1 | 900 | - | 20-50 | 185 | 110 | 7 | 380 | 800 | 10 |
| JWM200/25 | ø200 | 25:1 | 1050 | - | 20-50 | 220 | 150 | 7 | 380 | 1000 | 12 |

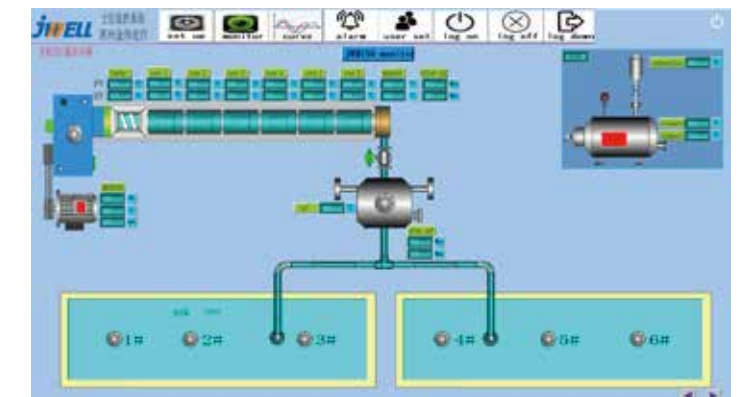
以上规格参数如有变更，恕不另行通知。(PP或100%PET瓶片:L/D=30:1 or 28:1)

Excuse for further notice. If any alteration of specification parameters above (PP or 100% PET Bottle flakes: L/D=30:1 or 28:1)

电气控制系统

Electric control system

- 挤出机的机头压力及温度控制系统采用日本进口RKC仪表，采样精度高，误差小。
- 驱动变频器及低压电器均采用国际知名品牌，使电气系统运行安全，可靠。
- 该控制系统根据客户的要求，可以接入主DCS控制系统，实现集中控制。



- The head pressure and temperature control system of extruder adopting RKC meter imported from Japan for a high precision and low error.
- Equipping the drive inverter and low tension electrical equipment with world famous brand to insure a safe and reliable function for electrical system.
- It can be connected with DCS system for concentrated controlling as per the requirement of customer.



JWC系列熔体立式过滤器

JWC Series Polymer Vertical Filter

本实用新型的产品克服了现有技术存在的缺陷，切换平稳，操作轻便，性能可靠，制造容易，维修方便以及对工作环境无特殊要求，可用于各种合成纤维的生产。这种套缸双筒切换过滤器采用熔体下进上出，外进内出排气工艺，内部通道简洁流畅，决无死角，确保连续切换，不飘丝，不断丝。立式套缸的能耗比卧式要降低30%左右，节能效果明显。

The new style production overcome the present limitation of technology, which is exchange placidly, operation portability capacity reliable, manufacturing, and it is no special requirymt for working condition. It can be used for producing varieties of fibers. The Jacket Vat with dual-drum exchanging adopt the processing of melt enter below and exit upper while enter outside and exit inside. The inside passage compact and fluency, never be a dead angle, which guarantee the consecutive exchange, and no flying yarn and cutting yarn. The energy expenditure of vertical jacket vat is 30% lower than the horizontal one, and the effect of energy saving is obvious.



| 型号 Model | 管径 D | 过滤面积 Filtration area (m ²) | 额定流量 Rated flow(kg/h) | | 适用螺杆规格 Appropriate dia of screw | 熔体压力 Melt allowable pressure | 热媒压力 Hot medium allowable pressure | 许用压差 Allowable pressure differentia | 工作温度 Operating temperature |
|-------------------|------|--|-----------------------|----------|---------------------------------|------------------------------|------------------------------------|-------------------------------------|----------------------------|
| | | | PET | PA、PP、PE | | | | | |
| CPF-PT-0.6C | 30 | 0.6 | 75-150 | 50-110 | 65 | Max: 25MPa | ≤0.6Mpa | Max6Mpa | ≤310℃ |
| CPF-PT-1.05C | 30 | 1.05 | 200-300 | 150-220 | 80 | | | | |
| CPF-PT-1.26C | 30 | 1.26 | 250-350 | 180-250 | 90/105 | | | | |
| CPF-PT-1.8C | 40 | 1.8 | 300-420 | 220-300 | 120 | | | | |
| CPF-PT-2.5C | 40 | 2.5 | 480-600 | 330-420 | 135 | | | | |
| CPF-PT-3.5C | 50 | 3.5 | 700-900 | 490-630 | 150/160 | | | | |
| CPF-PT-4.5C | 50 | 4.5 | 800-1000 | 600-780 | 170 | | | | |
| CPF-PT-5.5C | 50 | 5.5 | 900-1100 | 650-800 | 180/195 | | | | |
| CPF-PT-6.5C | 65 | 6.5 | 1000-1200 | 700-850 | 195 | | | | |
| CPF-PT2-1.8/1.26F | 30 | 1.8/1.26 | 130-160 | 160-200 | 90/105 | | | | |
| CPF-PT2-3.5/2.5F | 40 | 3.5/2.5 | 200-250 | 250-300 | 105/135 | | | | |
| CPF-PT2-5.5/3.5F | 40 | 5.5/3.5 | 162-350 | 320-400 | 135/150 | | | | |
| CPF-PT2-7.5/4.5F | 50 | 7.5/4.5 | 400-520 | 550-650 | 150/160 | | | | |
| CPF-PT2-9.5/5.5F | 50 | 9.5/5.5 | 500-600 | 650-750 | 160/170 | | | | |
| CPF-PT2-12/7.5F | 50 | 12/7.5 | 65-750 | 800-900 | 170-180 | | | | |
| CPF-PT2-15/9.5F | 65 | 15/9.5 | 800-1000 | 950-1100 | 195/200 | | | | |

以上规格参数如有变更，恕不另行通知。

民用丝热辊,分丝辊

Godet Roller and Separate Roller for Civil Yarn

主要特点：民用丝热辊是利用电感应加热，工频或高频热管均温技术，使热辊工作区表面温度均匀。特殊的轴承结构设计，使热辊在高速高温的工况下运转平稳可靠，能满足各种FDY民用丝纺丝工艺的要求，纺丝纤度范围40-300dtex。

Features: Steam heating with power frequency or high frequency and thermal pipe temperature uniformization or individual section temperature controlling; Easy structure and reliable, smooth running under high temperature and high drawing force. Can be suitable for solutions of various textile FDY spinning process, spinning range 40-300dtex.



主要技术参数 (Specification) :

| 热辊, 分丝辊型号 GR & SR Model | JRGD/220/4000热辊 JRGD/220/4000GR | JFSG/110/4000分丝辊 JFSG/110/4000SR | JRGD/220/5500热辊 JRGD/220/5500GR | JFSG/110/5500分丝辊 JFSG/110/5500SR |
|--|---|---|---|---|
| 电机功率 Motor power | 2.8/4.2KW | 1.5KW | 4.8/5.3KW | 1.65KW |
| 电机类型 Motor Type | 4极永磁同步电机 4-pole Permanent Magnetic Synchronous Motor | 2极永磁同步电机 2-pole Permanent Magnetic Synchronous Motor | 4极永磁同步电机 4-pole Permanent Magnetic Synchronous Motor | 2极永磁同步电机 2-pole Permanent Magnetic Synchronous Motor |
| 速度范围 Speed Range | 1000-4000m/min | 1000-4000m/min | 1000-5500m/min | 1000-5500m/min |
| 工作温度范围 Temperature Range | 60-180℃ | ---- | 60-200℃ | ---- |
| 均温方式 Uniform Heating Manner | 热管均热 Heating Pipe | ---- | 热管均热 Heating Pipe | ---- |
| 工作区温差 Temperature difference in working area | ±1℃ | ---- | ±1℃ | ---- |
| 测温方式 Sensor Type | PT100 旋转测温 Rotating | ---- | PT100 旋转测温 Rotating | ---- |
| 加热功率 Heating Power | 9/10/12KW | ---- | 12KW | ---- |
| 轴承润滑方式 Bearing Lubrication Manner | 油雾润滑 By Oil Mist | 油雾润滑 By Oil Mist | 油雾润滑 By Oil Mist | 油雾润滑 By Oil Mist |
| 冷却方式 Cooling | 油冷 By Oil | 油冷 By Oil | 油冷 By Oil | 油冷 By Oil |
| 外型尺寸 Dimension | Φ220×450mm Φ220×425mm | Φ110×475mm Φ110×475mm | Φ220×400mm Φ220×375mm | Φ110×400mm Φ110×375mm |
| 热辊表面状态 Surface Treatment State | 镜面铬/毛面铬/陶瓷 Mirror Chromium/Rough Chromium/Ceramic | | | |

以上规格参数如有变更，恕不另行通知。

纺丝箱、侧吹风系列

Spinning Beam & Quenching Series

| 位距 Pitch | 纺丝头数 Ends | 5头下装 杯形组件 Bottom mounted cylinder type | 6头下装 杯形组件 Bottom mounted cylinder type | 8头下装 杯形组件 Bottom mounted cylinder type | 10头下装 杯形组件 Bottom mounted cylinder type | 12头下装 杯形组件 Bottom mounted cylinder type |
|-------------|--------------|---|---|---|--|--|
| Ø75 | | | 750 | | 1050 | 1250 |
| Ø80 | | | | | 1100 | 1350 |
| Ø85 | | | 800 | 1000 | 1150 | 1400 |
| Ø90 | | 650/900 | 850/900 | 1050 | 1250/1350 | 1500/1550 |
| Ø95 | | 650/900 | 850/900 | 1150 | 1350 | 1700 |
| Ø100 | | 700/900 | 850/900 | 1150 | 1400 | 1700 |
| Ø105 | | 750/900 | 900 | 1250 | 1500 | |

以上规格参数如有变更，恕不另行通知。



化纤设备相关零部件

All Kinds of Chemical Fiber Machinery Relating Parts



兔子头式全自动切换卷绕头——主要规格

Series of Traverse Cam Type Automatic Winders—Main Specifications

| 型号 Model | JWA1260 | JWA1380 | JWA1500 | JWA1680 | JWA1800 |
|-------------------------------------|--------------------------------------|--------------------------|--------------------------|---------------------------|--------------------------|
| 机械速度 Mechanical speed | 2500-5000m/min | 2500-5000m/min | 2500-5000m/min | 2500-5000m/min | 2500-3500m/min |
| 锭轴长 Length of chuck | 1260mm | 1380mm | 1500mm | 1680mm | 1800mm |
| 纸管尺寸 (内径/外径) Tube dimension | ∅112/∅126 | ∅112/∅126 ∅120/∅134 | ∅112/∅126 ∅120/∅134 | ∅120/∅134 | ∅120/∅134 |
| 卷装外径 Dia of yarn package | ∅420 | ∅420 | ∅430 | ∅430 | ∅430 |
| 卷装体积/横动宽度 Package volume/astroke | 8头 ends 16.3dm ³ /130 | 17.6dm ³ /142 | 20.3dm ³ /155 | —— | —— |
| | 10头 ends 12.6dm ³ /100 | 13.7dm ³ /110 | 16.1dm ³ /123 | —— | —— |
| | 12头 ends 10.3dm ³ /82 | 11.2dm ³ /90 | 13.1dm ³ /100 | 14.68dm ³ /112 | 16.1dm ³ /123 |
| | 16头 ends 7.0dm ³ /56 | 7.5dm ³ /60 | 9.5dm ³ /73 | 10.8dm ³ /82 | 11.3dm ³ /86 |

备注：参考比重：涤纶比重=0.95，锦纶比重=0.75，丙纶比重=0.71



| 型号Model | JWA1260 | JWA1380 | JWA1500 | JWA1680 | JWA1800 |
|---------|---------|---------|---------|---------|---------|
| W | 748 | 748 | 790 | 790 | 790 |
| H | 1380 | 1380 | 1330 | 1330 | 1330 |
| L | 2340 | 2520 | 2690 | 2889 | 3069 |

旋转拨叉式全自动切换卷绕头——主要规格

Series of Birotor Type Automatic Winders—Main Specifications

| 型号 Model | JWAR1500 | JWAR1680 | JWAR1800 |
|-------------------------------------|--|---------------------------|------------------------------|
| 机械速度 Mechanical speed | 2500-5000m/min | 2500-3500m/min | 2500-3500m/min |
| 锭轴长 Length of chuck | 1500mm | 1680mm | 1800mm |
| 纸管尺寸 (内径/外径) Tube dimension | ∅112/∅126 ∅120/∅134 | ∅120/∅134 | ∅120/∅134 |
| 卷装外径 Dia of yarn package | ∅430 | ∅430 | ∅430 |
| 卷装体积/横动宽度 Package volume/astroke | 8头 ends —— | —— | —— |
| | 10头 ends 15.7dm ³ /120-125 | —— | —— |
| | 12头 ends 13.1dm ³ /100 | 14.68dm ³ /112 | 15.7dm ³ /120-125 |
| | 16头 ends —— | 10.8dm ³ /82 | —— |

备注：参考比重：涤纶比重=0.95，锦纶比重=0.75，丙纶比重=0.71



| 型号Model | JWAR1500 | JWAR1680 | JWAR1800 |
|---------|----------|----------|----------|
| W | 725 | 725 | 725 |
| H | 1228 | 1228 | 1228 |
| L | 2768 | 2948 | 3068 |

化纤纺丝工程配套设备

Chemical Fiber Spinning Engineering Auxiliary Equipment



干燥结晶系统

原料筛选、罗茨风机输送系统、结晶系统、干燥系统、二次输送系统。

Drying and crystallization system

Raw material screening, Roots blower conveying system, crystallization system, drying system, secondary conveying system.



空调、冷冻系统：空调机组是按工艺及环境要求送出合格、稳定的侧吹风，通过回风机从纺丝卷绕间(冬季)抽取回风进入空调器;同时引入适量新风混合后过滤，再经过喷淋加湿;(夏季)经过冷冻系统冷却降温处理后，由送风机加压后通过中效过滤器净化处理，最后送入各纺丝位及车间。

Air conditioning and refrigeration system: The air conditioning unit sends out qualified and stable side air according to the process and environmental requirements, and the return air is drawn from the spinning and winding room through the return fan into the air conditioner (Winter); at the same time, an appropriate amount of fresh air is introduced to mix, filter, and then spray. Drenching and humidifying; (Summer) after cooling and cooling treatment in the refrigeration system, it is pressurized by the blower and then purified by the medium-efficiency filter, and finally sent to each spinning position and workshop.



检测仪器：单纱强力机、缕纱测长机、喷丝板镜检仪、水分测定仪、张力仪等各种检测设备。

Testing equipment: single yarn strength machine, yarn length measuring machine, spinneret mirror detector, moisture meter, tension meter and other testing equipment.



预热煨烧、清洗设备：纺丝过滤等部件的预热、煨烧、超声清洗等。

Preheating, calcining and cleaning equipment: preheating, calcining, ultrasonic cleaning, etc. of spinning and filtering components.

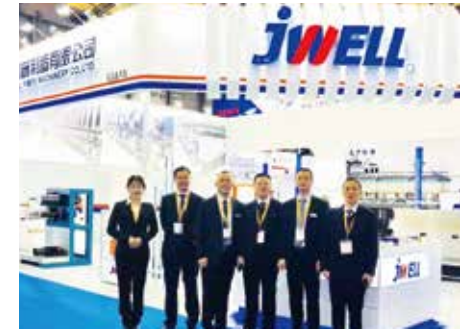


自动络筒打包立体仓库：涤纶长丝生产过程中,自落丝、丝饼运输、包装至仓储管理的全流程作业，用“机器人”，实现工业化、信息化、智能化的“三化融合”。

Automatic winding and packaging three-dimensional warehouse: In the production process of polyester filament, the whole process of operation from doffing, bobbin cake transportation, packaging to warehouse management, using "machines instead of people" to achieve industrialization, informationization, and intelligent "Three Integration".

企业风采：品质管理 技术研发 国际交流 客户服务 员工培训

Quality Control Technology Research International Communication Customer Service Staff Training



24小时服务
24 Hours Service

13918876277
客户服务热线
Customer Service Hotline

培训
Training

交钥匙工程
Turn-Key Project